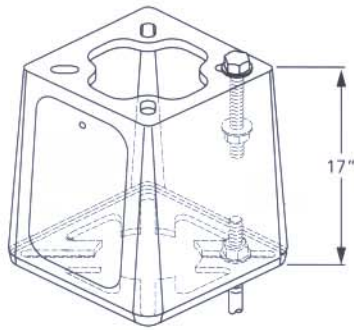
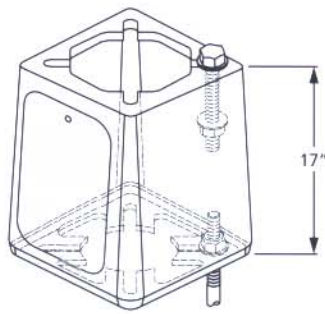


# Breakaway Bases

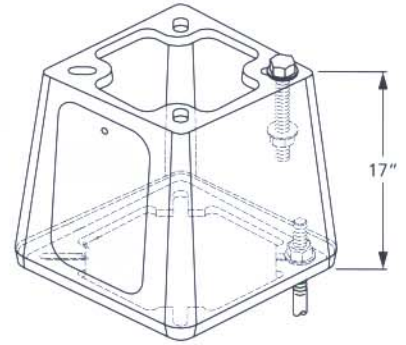
**ATB1-17**



**ATB2-17**

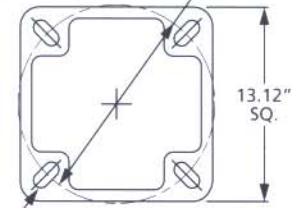


**ATB3-17**



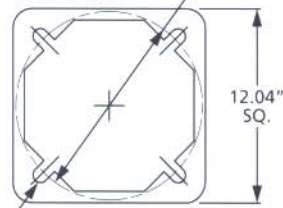
## Top View

10.5"–13.5" DIAMETER BOLT CIRCLE



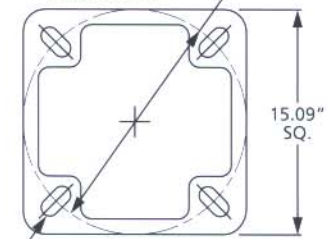
(4) SLOTTED HOLES FOR 1.0" DIAMETER CONNECTOR BOLTS

10"–12" DIAMETER BOLT CIRCLE



(4) SLOTTED HOLES FOR 1.0" DIAMETER CONNECTOR BOLTS

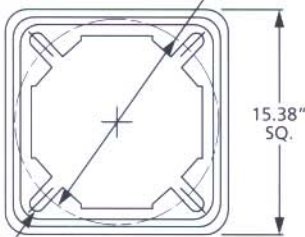
13"–15" DIAMETER BOLT CIRCLE



(4) SLOTTED HOLES FOR 1.25" DIAMETER CONNECTOR BOLTS

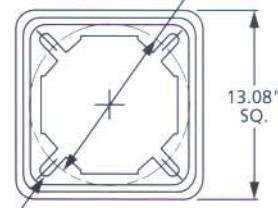
## Bottom View

13"–15" DIAMETER BOLT CIRCLE



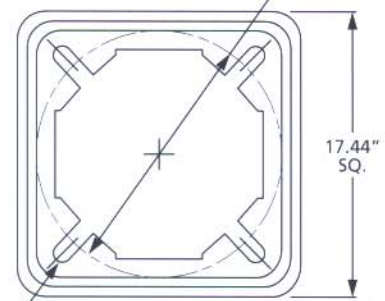
(4) SLOTTED HOLES FOR 1.0" DIAMETER CONNECTOR BOLTS

10"–12" DIAMETER BOLT CIRCLE



(4) SLOTTED HOLES FOR 1.0" DIAMETER CONNECTOR BOLTS

15"–17" DIAMETER BOLT CIRCLE



(4) SLOTTED HOLES FOR 1.25" DIAMETER CONNECTOR BOLTS

Note: For existing A.B. with B.C. (10-1/2" – 12-15/16"), consult factory for modified transformer-base.

# Breakaway Support Couplings

DIAMETERS AVAILABLE FOR BREAKAWAY SUPPORT COUPLINGS:

3/4", 1", 1-1/4"

ORDERING LOGIC:

BSC – 0.75

BSC – 1.00

BSC – 1.25

OPTION:

SKT SKIRT

